



Valves for Ultra-High Purity and Specialty Gases

USES

- » Pure Gases and Mixes
- » Inert, Reactive, Corrosive, and Toxic Gases
- » All grade levels of purity to Ultra-high Purity (UHP)

Game-changing exclusive worldwide partnership between Kohda Valves and the Cavagna Group to bring the highly successful line of stainless steel diaphragm valves.

- » Manufactured in Japan
- » Long history with highly reliable design
- » Spring-loaded and tied-diaphragm stainless steel models
- » Proven experience in most challenging gas applications, including electronics manufacturing and Specialty Gas applications.
- » Validated use in Hydrogen Chloride (HCl), Hydrogen Sulfide (H₂S), Nitrogen Trifluoride (NF₃), Silane (SiH₄), Germane (GeH₄), ...
- » International certifications: ISO, CGA...
- » Clean room assembly
- » 100% Helium leak-tested

VDA7 Diaphragm valves



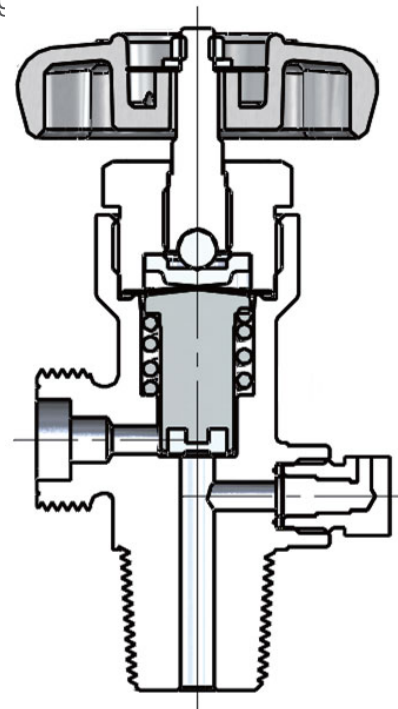
- » 3rd Generation of highly successful design.
- » Lower number of parts for increased reliability and durability.
- » Diaphragm prevents gas contact with valve operating mechanism.
- » Low operating torque.

TECHNICAL SPECIFICATIONS

- » **Body Material:** 316L Stainless Steel
- » **Diaphragm:** 316L Stainless Steel or Hastelloy
- » **Seat:** PCTFE (Kel-F) or PVDF (Kynar)
- » **Working Pressure:** 2,220 psig / 150 bars
- » **Flow Coefficient (Cv):** 0.4
- » **Life Cycle:** 2,000 minimum
- » **Helium External Leak Rate:** 9.0E-10 atm.cc/sec
- » **Certifications:** ISO 10297 / CGA V-9
- » **International Outlet connections**
- » **Straight and tapered cylinder inlets**

OPTIONS

- » 1/4"-18 NPT Inlet thread (dip tube)
- » Metal outlet cap
- » Safety relief device



Value of
Valve **Kohda**

VDC2 Tied Diaphragm valves



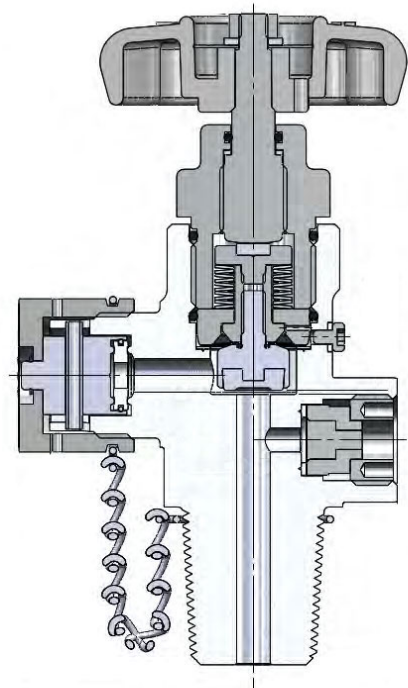
- » Springless welded diaphragm sealing design for increased purity and reliability.
- » Minimal gas wetted internal volume.
- » Absence of spring to reduce sources of impurities and particulates.
- » Diaphragm prevents gas contact with valve operating mechanism.

TECHNICAL SPECIFICATIONS

- » **Body Material:** 316L Stainless Steel
- » **Diaphragm:** Hastelloy
- » **Seat:** PCTFE (Kel-F) or PVDF (Kynar)
- » **Working Pressure:** 2,900 psig / 200 bars
- » **Flow Coefficient (Cv):** 0.4
- » **Life Cycle:** 2,000 minimum
- » **Helium External Leak Rate:** 9.0E-10 atm.cc/sec
- » **Certifications:** ISO 10297 / CGA V-9
- » **Tapped vent hole (M4) for leak detection**
- » **International Outlet connections including for Ultra High integrity service (DISS)**
- » **Straight and tapered cylinder inlets**

OPTIONS

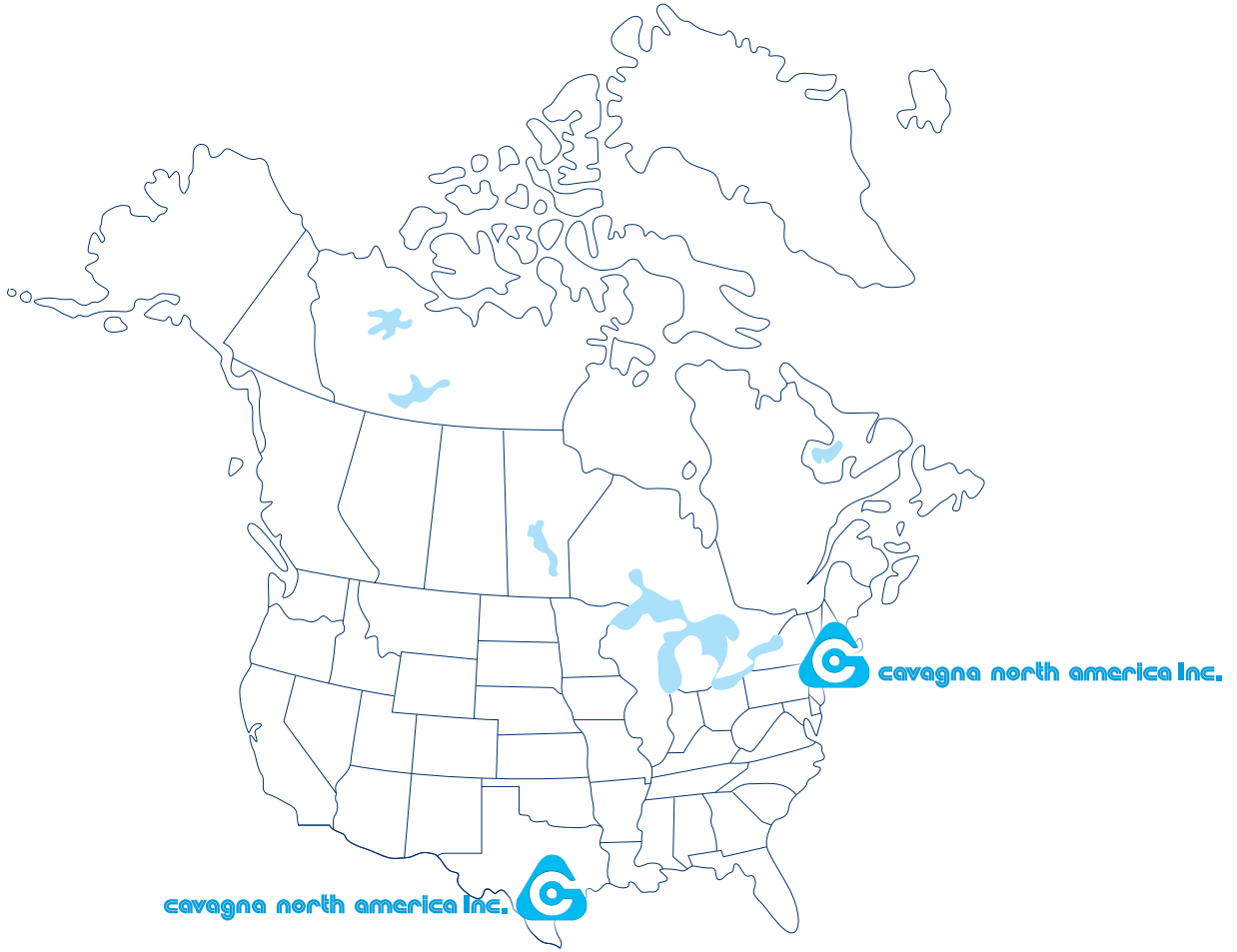
- » Metal outlet cap
- » RFO outlet thread
- » 1/4"-18 NPT Inlet thread (dip tube)



Cavagna Group's HP stocking locations

Cavagna North America, Inc
50 Napoleon Court
Somerset, NJ 08873
Phone: 001-732-4692100
Fax: 001-732-4693344
Email: info@cavagna.com

**Distribution Center:
Cavagna North America, Inc**
5910 W By Northwest Blvd.
Houston, TX 77040
Email: info@cavagna.com



cavagna north america Inc.

50 Napoleon Court Somerset, NJ 08873
732-469-2100 • Fax 732-469-3344

info@cavagna.com - www.cavagnana.com

